

RS2 BSM C

RENAISSANCE Tap Range

Renaissance 2 Bath Shower
Mixer Chrome



Specification

Product Type:	Bathroom Taps
Main Construction Material:	Brass
Mount Type:	Deck Mounted
Handle Type:	Lever
Connection Inlet:	3/4" BSP Connections
Connection Outlet:	G 1/2"
Number of Tap Holes:	2
Valve/Cartridge Type:	3/4" Ceramic Disc Valve - 1/4 turn
Plumbing System Requirements:	Suitable for all plumbing systems
Working Pressure Range:	Min 0.2 bar, Max 5.0 bar
Maximum Hot Water Temperature: °C	65
Maximum Static Pressure: (bar)	10
Flow Type:	Single
Isolation Included:	No

Features:

- Uniquely designed Timeless detailing for traditional bathrooms.
- Hand-finished handles using precision watchmaker techniques.
- Long life and easy to use 1/4 turn ceramic disc valves
- Includes 1.5m hose and single function handset

Product Certifications:

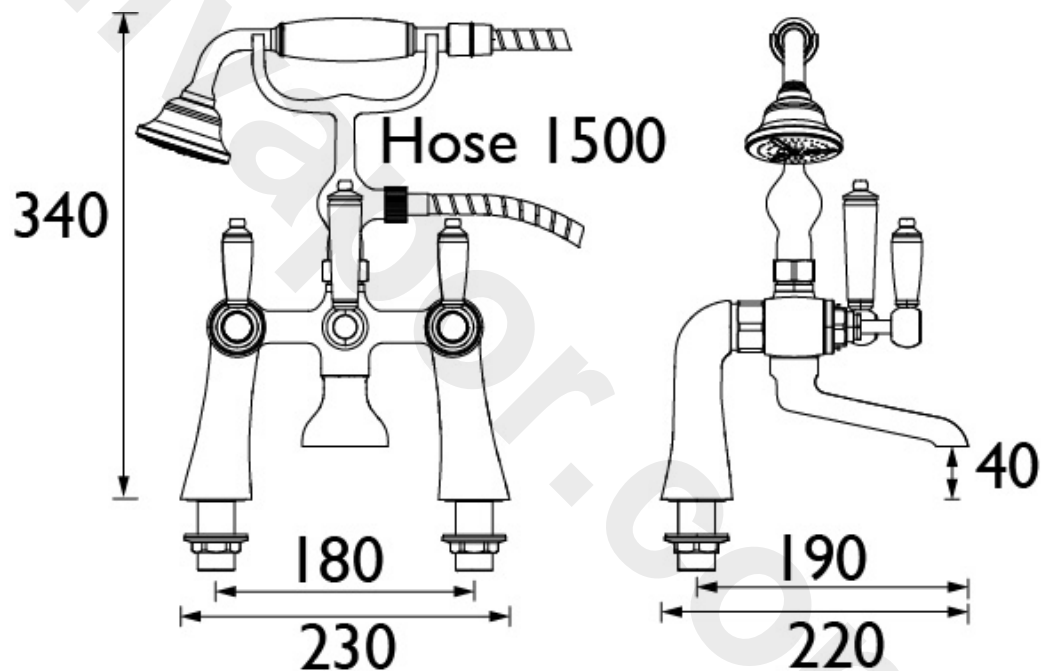


18 L/Min

For more products, visit our website:
<http://www.bristan.com>



Dimensions (measurements in mm)



Flow Rates (l/min)

System Pressure (bar)	0.2	0.5	1	2	3	5
Through Bath Filler	14.4	23.4	33.1	46.8	57.3	74
Through Handset	4.7	7.4	10.4	14.7	18	23.3

TECHNICAL
DATA
SHEET



BRISTAN

D3